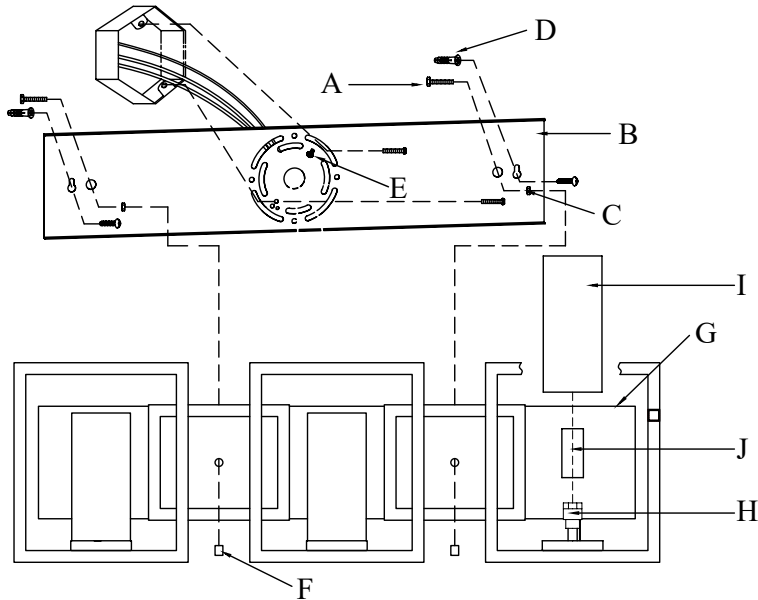


Assembly Instructions: 6068-BA3

IMPORTANT:

- ALL INSTALLATION WORK SHOULD BE DONE BY ACCREDITED PROFESSIONAL.
- SHUT OFF POWER SUPPLY AT FUSE OR CIRCUIT BREAKER!
- USE ONLY THE SPECIFIED BULBS. DO NOT EXCEED THE MAXIMUM WATTAGE!

For Customer Service, please contact the place of purchase.

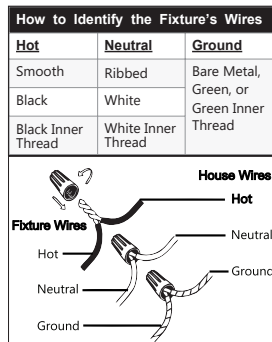


PREPARING FOR INSTALLATION

Remove all of the contents from the carton. See the important notes above. Shut off the power at the circuit breaker and completely remove the old fixture from the wall or ceiling, including the old mounting strap.

1. Mounting bracket (B) may be attached to backplate (G). If so, use a screwdriver to remove deco nuts (F). Place the deco nuts aside for future use. Leave mounting screws (A) in place on mounting bracket (B). Mounting bracket (B) contains several pairs of threaded holes. Find the pair of holes that matches the spacing of the holes on your junction box and on backplate (G). Pull the house wires through the center of mounting bracket (B).

2. Place mounting strap (B) over the junction box so that mounting screws (D) may be inserted. Secure mounting strap (B) to the junction box with mounting screws (D) and a screwdriver. Tighten the screws securely.



CONNECTING THE WIRES

3. Attach the fixture's wires to the power supply wires from the junction box. Connect black to black (or smooth); white to white (or ribbed); ground to ground (green or copper). Twist the ends of the wire pairs together, then twist on a wire connector. Make sure all twists are in the same direction. If there is no ground wire (green or copper) from the junction box, locate ground screw (E) on mounting strap (B) and wrap the fixture's ground wire around the green ground screw (E). Use a screwdriver to secure ground screw (E) onto the mounting bracket. Tuck all wires neatly into the junction box.

FINISHING THE INSTALLATION

4. Place the fixture's backplate (G) over mounting bracket (B) so that the holes in mounting strap (B) line up with the holes in backplate (G).
5. Thread deco nuts (F) onto the exposed threads of mounting screws (A) until backplate (G) is snug against the wall.
6. Install a light bulb (not provided) in accordance with the fixture's specifications. Do not exceed the maximum recommended wattage.
7. Carefully slide glass shades (H) over sockets (I).

Your installation is complete. Turn on the power and test the fixture.

CLEANING TIPS

Treat the fixture gently! Regular cleaning will reduce the need for deep cleaning. For regular cleaning, turn off the light and wipe down the fixture with a clean lint-free cotton or microfiber cloth. Never spray cleaner directly onto the fixture.